

EtherBridge Quick Start Guide

BLE Cloud

1. Open <http://www.blecloud.com/#/register> in your web browser (Chrome is recommended) and register for an account.
2. Once registered, login to your account, go to Gateways and Press the “+” to add.

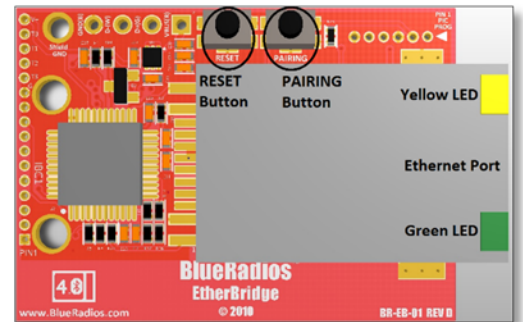
EtherBridge

1. Plug the EtherBridge’s ethernet cable into the back of your router or equivalent DHCP port.
2. Plug the Etherbridge’s USB cable into a USB port. Some routers have a USB port that can be used.



Pairing

1. Press the Black PAIRING button. Pressing the PAIRING button the first time will register the EtherBridge with BLE Cloud.
2. A device like the SensorBug can also be paired at this time or later by pressing the PAIRING Button. Each Sensor will need to be paired in order for it to show up on BLE Cloud.
3. To clear all paired devices hold the PAIRING button for approximately 10 seconds. Once the Green LED turns on you can release the button and all paired devices will have been removed.



General Information

1. The RESET Button is used for a board reset.
2. The Yellow LED represents Ethernet traffic and will be solid yellow on power up but should blink once an IP connection has been established.
3. The Green LED will be solid on power up and once fully powered it will turn off.

Pairing

- 1) Press Black PAIRING Button and the Green LED will start blinking and pairing starts.
- 2) Hold Black PAIRING Button for ~10 Seconds, the Green LED goes solid and the pair list is cleared.

